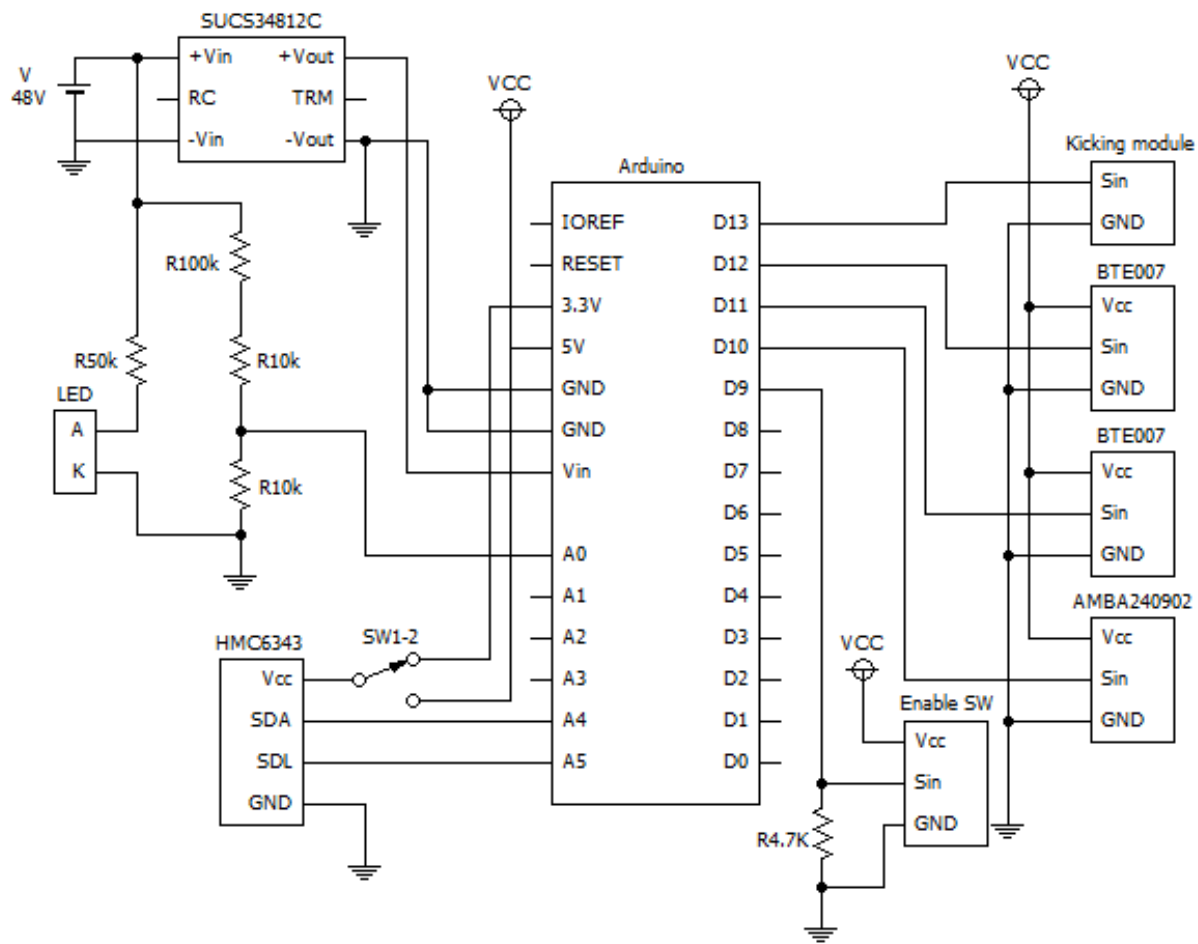


Circuit for kicking module



Title: Circuit control part
Date: Nov.7,2016
Name: Teppei Fukumoto